

# GEMINI 1X1 SOFT



www.litepanels.com

## STUDIO FULL COLOR SOFT PANEL LED FIXTURE (945-1001)

### SAFETY INFORMATION



To clean the GEMINI 1X1, wipe with a clean, dry, non-abrasive cloth only.

Weight (including Yoke, not including accessories): 5.5kg [12 lb]

Dimensions (including Yoke, not including accessories): W = 40.7 cm [16.0 in], H = 47.0 cm [18.5 in], D = 11.8 cm [4.7 in]

Do not restrict air flow around the GEMINI 1X1. Keep the fixture's air intakes and air exhaust space clear of obstruction.

Plug the GEMINI 1X1 into a mains electrical outlet using only a provided AC IEC Power Cable or one specified by Litepanels®. Protect the cable from pinching, twisting, or crushing. Use a mains electrical outlet that is grounded and rated for 100-240VAC, 50/60Hz only.

Do not use, mount, transport, or store the GEMINI 1X1 near radiators, space heaters, ovens, stoves, heat registers, open flame, or any heat source, or in an environment with an ambient temperature greater than 65°C [149° F].

The GEMINI 1X1 is suitable for operation only in an environment as follows: ambient air temperature between -20°C and 45°C [between -4°F and 113°F]; less than 85% relative humidity (RH), no condensation. Use in a dry environment; do not place on a wet surface or submerge the GEMINI 1X1 in liquid.

**WARNING:** Tampering with or disassembling the GEMINI 1X1 may result in electric shock and will void the manufacturer's warranty.

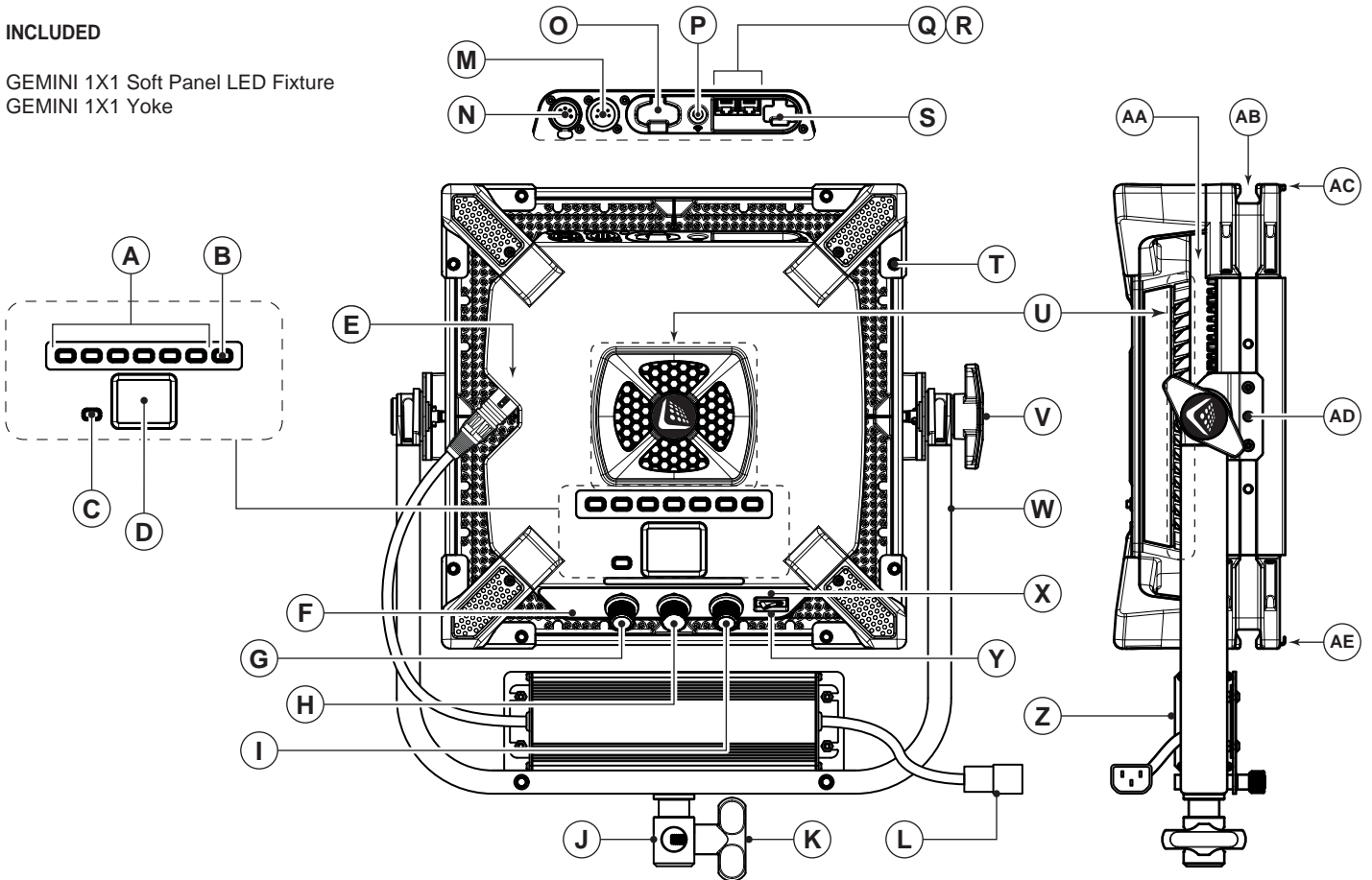
**WARNING:** To reduce the risk of electric shock or fire, do not expose the GEMINI 1X1 to rain, moisture, or liquids.

Immediately consult with qualified Litepanels® service personnel if any of the following have occurred: The fixture has been dropped or impacted; the power cable has been damaged; the fixture has been exposed to rain, moisture, or liquid; or the fixture does not operate normally.

This device complies with Part 15 of the FCC Rules. Operation is subject to the following two conditions: (1) this device may not cause harmful interference, and (2) this device must accept any interference received, including interference that may cause undesired operation.

### INCLUDED

GEMINI 1X1 Soft Panel LED Fixture  
GEMINI 1X1 Yoke



- |   |   |   |
|---|---|---|
| <ul style="list-style-type: none"> <li>(A) PRESET BUTTONS (6X)</li> <li>(B) PRESET TOGGLE BUTTON</li> <li>(C) CANCEL BUTTON</li> <li>(D) DISPLAY</li> <li>(E) 3-PIN XLR DC POWER INPUT JACK</li> <li>(F) ACTIVE COMMS INDICATOR LIGHT</li> <li>(G) GREEN OFFSET / HUE / MENU KNOB</li> <li>(H) CCT / SATURATION KNOB</li> <li>(I) DIMMER / INTENSITY KNOB</li> <li>(J) TVMP STAND ADAPTER</li> <li>(K) TVMP KNOB</li> </ul> | <ul style="list-style-type: none"> <li>(L) IEC AC INPUT</li> <li>(M) 5-PIN XLR DMX / MASTER/REPLICA INPUT</li> <li>(N) 5-PIN XLR DMX / MASTER/REPLICA OUTPUT</li> <li>(O) BLUETOOTH® / WIRELESS DMX PORT</li> <li>(P) ANTENNA</li> <li>(Q) RJ45 DMX / MASTER/REPLICA OUTPUT</li> <li>(R) RJ45 DMX / MASTER/REPLICA INPUT</li> <li>(S) USB PORT</li> <li>(T) 1/4-20 FEMALE THREAD (8X)</li> <li>(U) AIR INTAKE</li> <li>(V) YOKE KNOB</li> </ul> | <ul style="list-style-type: none"> <li>(W) YOKE</li> <li>(X) POWER / STATUS INDICATOR LIGHT</li> <li>(Y) ON / OFF SWITCH</li> <li>(Z) POWER SUPPLY ADAPTER</li> <li>(AA) AIR EXHAUST SPACE</li> <li>(AB) DOVETAIL CHANNEL (4X)</li> <li>(AC) ACCESSORY LATCH</li> <li>(AD) YOKE LOCKING PIN (2X)</li> <li>(AE) ACCESSORY RAIL (3X)</li> </ul> |
|---|---|---|

SEE REVERSE