

## Versine 360 Manual Pan and Tilt Head



Part No. V4177-0001

**Copyright © 2024**

All rights reserved.

Original Instructions: English

All rights reserved throughout the world. No part of this publication may be stored in a retrieval system, transmitted, copied or reproduced in any way, including, but not limited to, photocopy, photograph, magnetic or other record without the prior agreement and permission in writing of the Videndum Group Plc.

**Disclaimer**

The information contained in this publication is believed to be correct at the time of printing. Videndum Production Solutions Ltd reserves the right to make changes to the information or specifications without obligation to notify any person of such revision or changes. Changes will be incorporated in new versions of the publication.

We are making every effort to ensure that our publications are updated on a regular basis to reflect changes to product specifications and features. Should this publication not contain information on the core functionality of your product, please let us know. You may be able to access the latest revision of this publication from our website.

Videndum Production Solutions Ltd reserves the right to make changes to product design and functionality without notification.

**Trademarks**

All product trademarks and registered trademarks are the property of The Videndum Group Plc.

All other trademarks and registered trademarks are the property of their respective companies.

**Published by:**

Videndum Production Solutions Ltd

Supports Technical Publications Department

Email: [technical.publications@videndum.com](mailto:technical.publications@videndum.com)

<b>Safety and Warnings</b> .....	<b>2</b>
Warning symbols used in these instructions .....	2
Health and Safety .....	2
<b>About this User Guide</b> .....	<b>3</b>
<b>Box Contents</b> .....	<b>4</b>
<b>Components and Connections</b> .....	<b>5</b>
<b>Installation</b> .....	<b>6</b>
Versine multi-standard base .....	6
Release Clamp Stud .....	6
Access the 100 mm Base .....	6
Mounting the Head .....	7
Mounting the Camera .....	8
Payload Weight and C of G Height Adjustment. . .	9
Balancing the Payload. ....	10
Attaching the Versine Mounting Arm .....	12
Operating the Pan and Tilt Locks .....	13
<b>Operation</b> .....	<b>13</b>
Pan and Tilt Fluid Drag .....	13
<b>Servicing</b> .....	<b>14</b>
Routine maintenance .....	14
Battery Replacement. ....	14
Adjusting the Pan and Tilt Lock Levers .....	15
<b>Specifications</b> .....	<b>15</b>
<b>General Notices</b> .....	<b>16</b>

# Safety and Warnings

**Important information on the safe installation and operation of the product. Read this information before operating the product. For your personal safety, read these instructions. Do not operate the product if you do not understand how to use it safely. Save these instructions for future reference.**

## Warning symbols used in these instructions

Safety cautions are used in these instructions. These safety instructions must be followed to avoid possible personal injury and possible damage to the product.



**WARNING!** Where there is a risk of personal injury or injury to others, comments appear supported by the warning triangle symbol.

Where there is a risk of damage to the product, associated equipment, process or surroundings, comments appear supported by the word **'CAUTION'**.



**WARNING!** Unexpected movement may occur. Risk of trapped hand / fingers.



**CAUTION** Please refer to the user guide for further information

## Health and Safety



**WARNING! Risk of personal injury or injury to others.** All personnel must be fully trained and adhere to correct manual handling techniques and Health & Safety regulations. It is the responsibility of the local organisation to enforce safe working practise at all times.



Follow all warnings and instructions marked on the product and in this manual. Safety warnings are included in this manual. These safety instructions must be followed to avoid possible personal injury and damage to the product.



**WARNING!** Do not install this product onto a bracket, support or other equipment that is not designed to support the weight of the product and its payload. All supports must comply with local government regulations.



**WARNING!** The fitting of non-approved parts and accessories, or the carrying out of non-approved alterations or servicing can be dangerous and could affect the safety of the product. It may also invalidate the terms and conditions of the product warranty.



**WARNING!** Risk of personal injury or injury to others. All personnel must be fully trained and adhere to local health and safety laws and guidelines. It is the responsibility of the local organisation to enforce safe working practice at all times.

## Mounting, Installation and Operation



**WARNING!** Risk of finger entrapment. Do not place fingers between the platform and body of the fluid head



**WARNING!** Avoid trapping fingers when collapsing and extending tripod legs



**WARNING!** DO NOT fit the head to a support that cannot support the combined mass of the head and its full payload.



**WARNING!** Toppling hazard. Do not leave unattended. Keep out of reach of children.



**WARNING!** The product must always be secured.



Ensure the head is secured to tripod properly when tripod is picked up to be carried or repositioned.



**CAUTION!** Always lock the vertical and horizontal brakes when the camera is mounted but not in use or when levelling the fluid head on the support.



**CAUTION!** Hold the camera securely when mounting or dis-mounting from the fluid head and when making adjustments to the support height or footprint.



**CAUTION!** Always hold the pan bar when making adjustments to the counterbalance or camera position. Do not use the pan bar to lift or move the tripod and fluid head.



**CAUTION!** Only attach camera accessories to the pan bar. Do not attach heavy items to the pan bar.



**CAUTION!** Always remove the camera before transporting.



**WARNING!** Before fitting or adjusting the camera or payload the tilt lock Stud must be engaged.



**WARNING!** The fitting of non-approved parts and or accessories, the carrying out of non-approved alterations or servicing can be dangerous and could affect the safety of the product. It may also invalidate the terms and conditions of the product warranty.



**CAUTION!** When replacing the battery, use only the same or an equivalent type of battery recommended for use with the product

## About this User Guide

This guide describes the installation, configuration and operation of the Versine 360 Fluid Head.

Versine 360 is a class leading Fluid head optimised for fixed camera positions without large box lenses. It gives the camera operator perfect control over the frame for any other camera configuration. It perfectly balances the smallest mirror-less cameras up to the largest broadcast system cameras with any combination of lens and accessories (Including Prompters and counterweights; Large lens supports, top mounted viewfinders, zoom & Focus demands and additional monitors and accessories.)

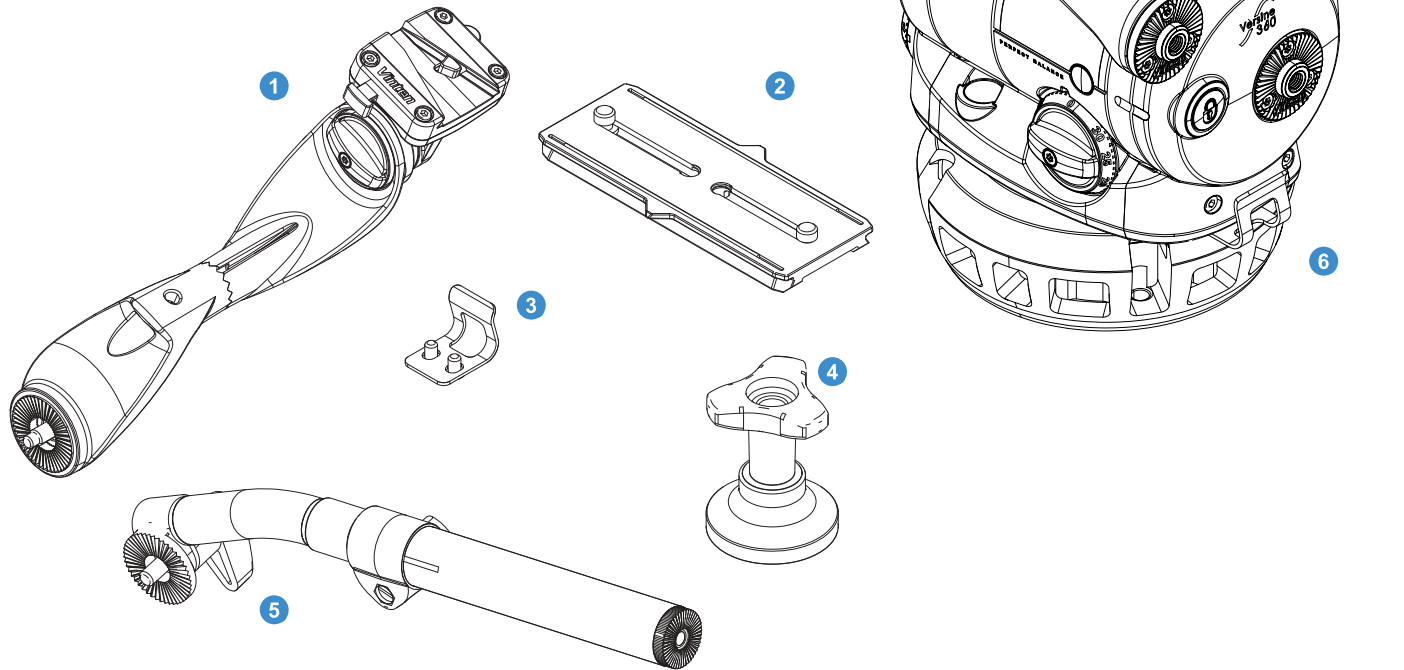
The all new compact Versine perfect balance mechanism and world leading TF Drag system allow the worlds most skilled camera operators to produce both precise distance framing and high speed tracking moves, in the most demanding, all weather & terrain OB and sport environments. Working at the very long end of the lens and with shot durations that can run into hours, perfectly control is needed to simultaneously zoom and focus while framing. This means the Versine 360 is also more than capable in studio applications.

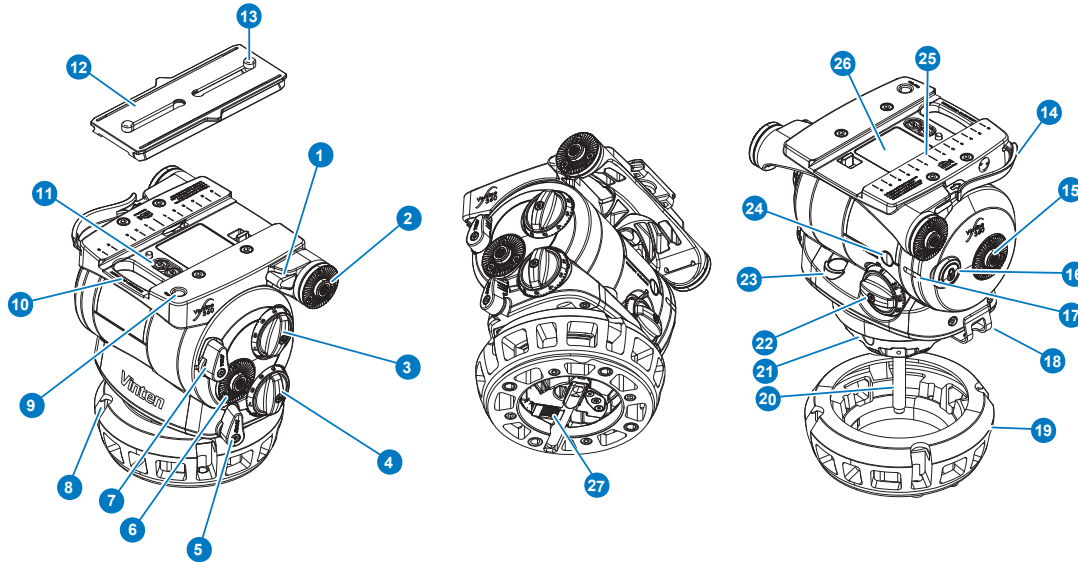
The TF drag system offers infinite adjustment and because it works independently of the balance system, allows precision balancing of the pan and tilt axis so that the effort needed to follow the action becomes totally insignificant.

Also features a broadcast multi standard base, robust accessory mounts, illuminated controls & mechanical Drag and balance indicators, ensuring simple and repeatable camera set-up.

# Box Contents

- 1 .....Versine Mounting Arm
- 2 .....Camera Slide Plate
- 3 ..... Cable support Clip
- 4 ..... Tie Down
- 5 ..... Pan Bar
- 6 ..... Fluid Head





- |          |                                |          |   |
|----------|--------------------------------|----------|---|
| 1 .....  | Slide Plate release            | 14 ..... | Slide Plate Clamp                                   |
| 2 .....  | Pan bar Rosette (Left)         | 15 ..... | Body Rosette (Right)                                |
| 3 .....  | Tilt Drag Control              | 16 ..... | Centre Lock   |
| 4 .....  | Pan Drag Control               | 17 ..... | Centre Lock Alignment Marks                         |
| 5 .....  | Pan Lock Lever                 | 18 ..... | Cable Support                                       |
| 6 .....  | Body Rosette (Left)            | 19 ..... | 150mm Ball Mount /Quickfix/Flat Base                |
| 7 .....  | Tilt Brake Lever               | 20 ..... | Clamp Stud  |
| 8 .....  | Mounting bolt observation hole | 21 ..... | 100mm Ball Mount                                    |
| 9 .....  | Hoist/tether point             | 22 ..... | Counterbalance Control                              |
| 10 ..... | Carry Handle                   | 23 ..... | Levelling Bubble                                    |
| 11 ..... | Additional Camera Screws       | 24 ..... | Illumination Button (Controls and Levelling Bubble) |
| 12 ..... | Camera Plate                   | 25 ..... | COG Graduations                                     |
| 13 ..... | Camera Screws                  | 26 ..... | Serial Number                                       |
|          |                                | 27 ..... | Clamp Stud Release Slide                            |

# Installation

## Versine multi-standard base

The Versine 360 head is supplied with a dual 100/150 mm ball base, flat base, and 'Quickfix' and standard four-hole fixing all built into the head.

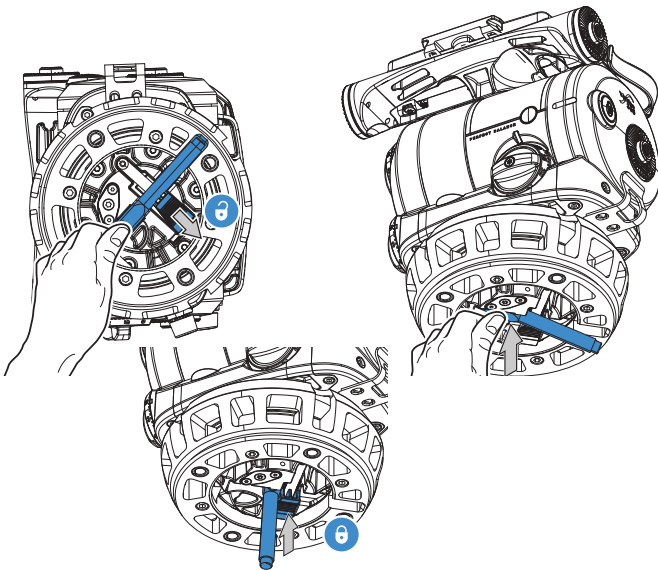
When fully assembled the options are 150 mm bowl, Quickfix and standard 4 hole fixing.

### Release Clamp Stud

Slide the Stud Lock toward the edge of the head.

Press the detent in the stud to eject and move to the vertical position.

Ensure the lock is back in the locked position.



## Access the 100 mm Base

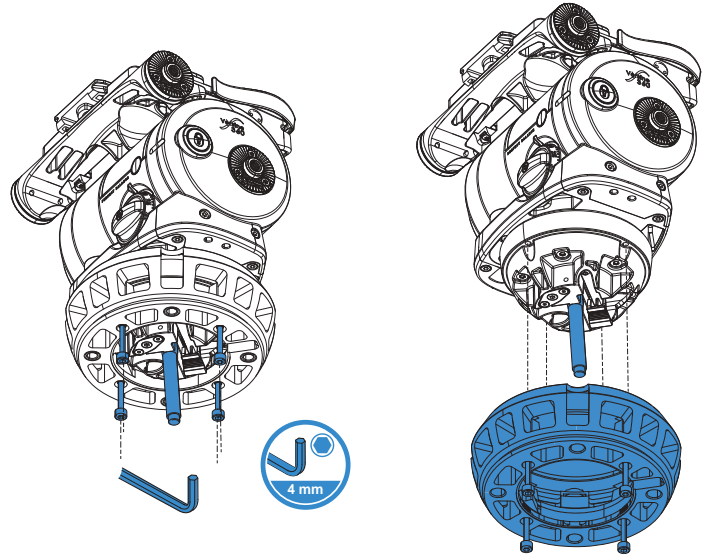
Ensure the clamp Stud has been extended.

Use a 4 mm Hex key to undo the 4 x captive Hex bolts from the underside of the 150 mm base.

Remove the base to reveal the 100 mm base.



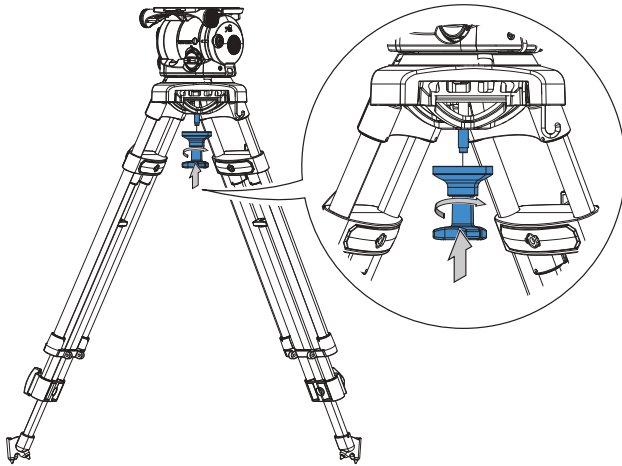
**Note!** The 100 mm base is not recommended to be used over 25kg





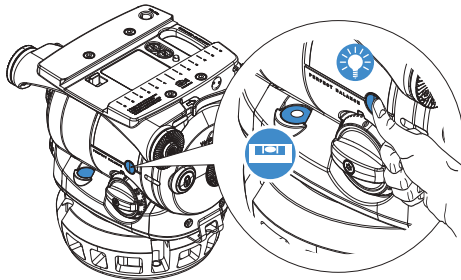
## Mounting the Head

To install a head with a ball mount, eject the clamp stud from the head, see "Release Clamp Stud" on page 6, position the head on the tripod and refit the bowl clamp assembly from below. Level the head with the aid of the level bubble and tighten the bowl clamp.



The level bubble may be illuminated by pressing the switch. The light will extinguish after approximately 15 seconds.

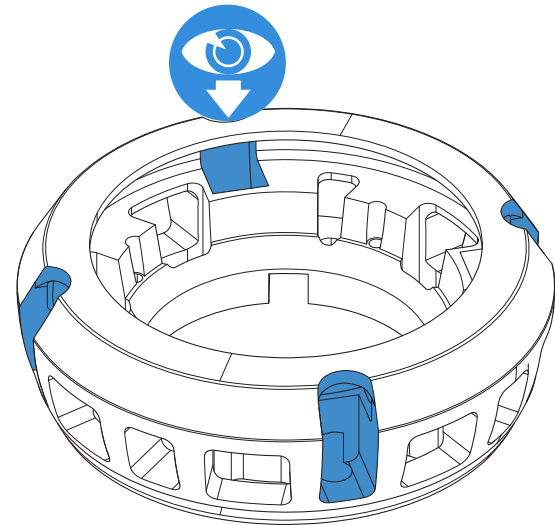
To illuminate the bubble and controls press and hold the button until the controls light up.



The flat based head may be installed on a tripod or pedestal using the four mounting bolts and washers provided or by using a 'Quickfix' adaptor.

Stow the Clamp Stud before using flat base.

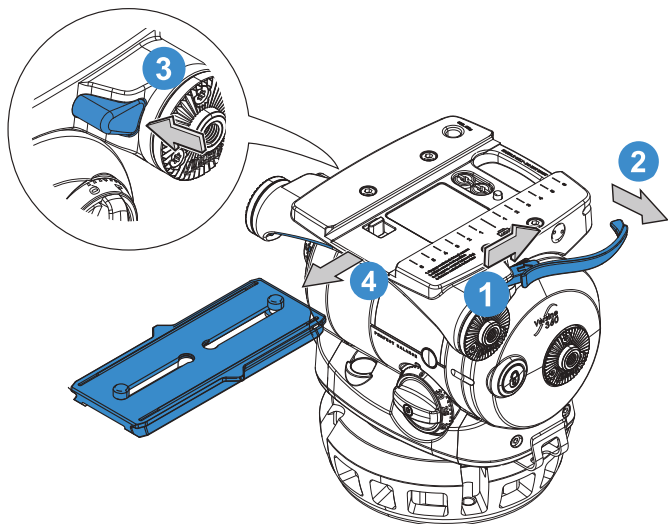
The flat base incorporates 'mounting bolt observation holes' to aid aligning the bolts (as shown below).



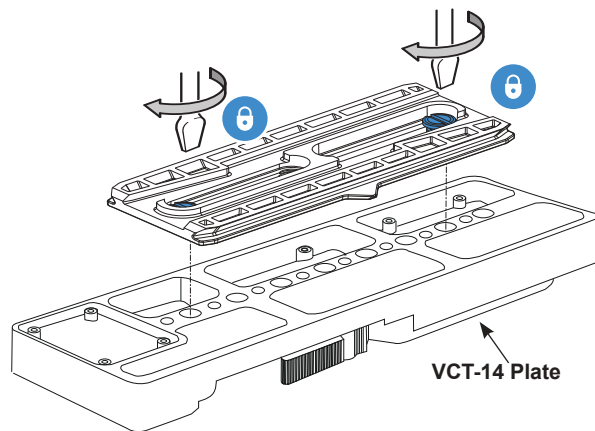
# Installation

## Mounting the Camera

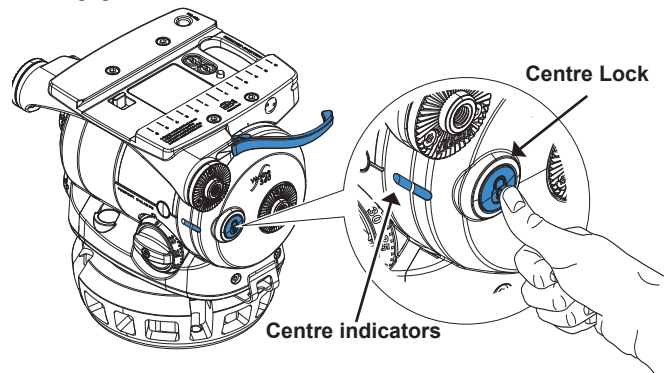
Remove the slide plate from the head by releasing the slide plate clamp: push the clamp forwards (1) then pull away from the head (2). Press the slide lock release (3) and pull the plate to the rear (4).



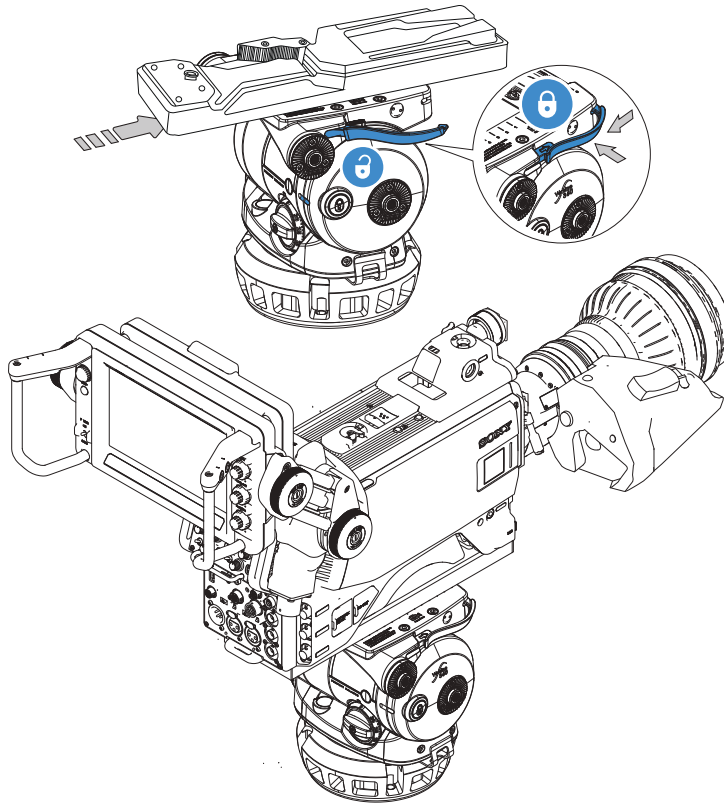
Attach the slide plate to the camera or camera mounting plate under the approximate centre of the camera's weight using both camera mounting screws. Position the screws as far apart as possible.



Set the platform level observing the centre markers indicated below and engage the centre lock.



Release the side plate clamp. Push the side plate and camera (or side plate and camera mount e.g. VCT-14) into the platform from the rear, ensuring slide lock release snaps into position. Move the side plate clamp to the locked position.



## Payload Weight and C of G Height Adjustment



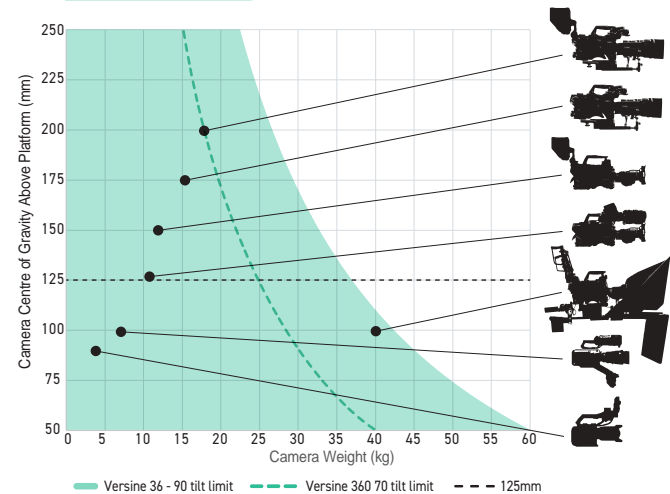
**WARNING!** Ensure that the weight and C of G height of the total payload is within the range for which the head is designed.



**WARNING!** For safe and reliable operation the head and all mounted equipment must be correctly balanced.

The chart below shows the range of load and C of G heights that can be maintained in balance. The area below the balance curve (to the left) corresponds to load / C of G combinations that can be balanced over the full tilt range. The area above the balance curve (to the right) corresponds to load / C of G combinations that exceed the capacity of the head

Balance Chart - Versine 360



# Installation

## Balancing the Payload

The purpose of counterbalancing the payload is to negate the effect of gravity on the payload when tilting the head. The movement should be effortless and the payload should remain in any set position throughout the tilt range.



**WARNING!** When positioning the payload, it is important to be aware of the potential danger that an unbalanced payload will fall away suddenly. Always be prepared for this by maintaining a firm hold of the handle, until the balance is set correctly.



**WARNING!** The payload balancing procedure may require the assistance of another person.



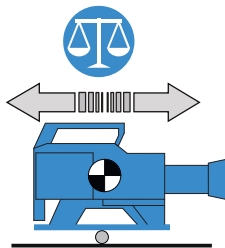
**Caution!** The camera, handles and all accessories must be fitted in their operational position before balancing the head. Any equipment fitted or adjusted later can unbalance the head.

1. First estimate the approximate horizontal position of the centre of Gravity.



**Tip**

To find the approximate centre of the camera set up, rest on a round bar, move forward or backward to find the balance point.



**If under balanced once mounted,** use the clearance on the centre lock, the small amount of movement available is enough to judge if the head is balanced.

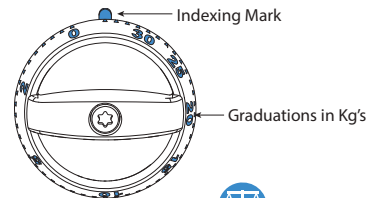
2. Make sure the head is level using the levelling bubble and the side plate is clamped and secure.

3. Make sure the tilt lock is engaged, apply the pan brake and set the tilt drag adjustment knob to '0' (lowest setting).
4. Use the look up table below to give an approx counterbalance setting for some common set ups. However if unsure set counterbalance to maximum.

Some common set-ups with Live system cameras with Pan Bar Mounted Lens Controls					
Configuration	Camera with 20X size lens and monocular	Camera with 20X size lens and Top Mounted Viewfinder	Camera with 40X size lens, Lens support and monocular	Camera with 40X size lens, Lens support and Top Mounted Viewfinder	Camera with 20X size lens, Top Mounted Viewfinder, Teleprompter, Talent monitor & Counterweights
Approximate Dial Setting	10	16	20	28	34
Approximate Payload	10kg	13kg	15kg	19kg	40kg
Approximate COG Height	125mm	150mm	175mm	200mm	100mm



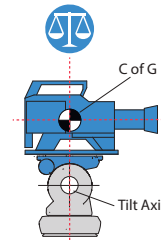
The index numbers = the payload at 125mm COG



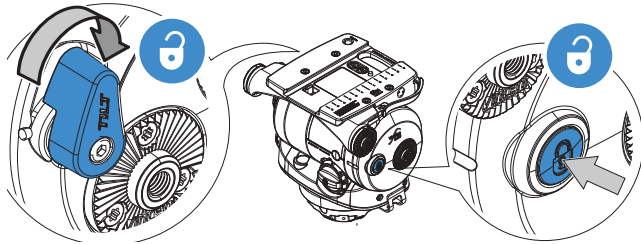
5. Attach the payload over the COG of the head and ensure all accessories are fitted.



For higher COG a larger number than the measured weight needs to be used and a lower number for a lower COG



6. Release the centre and tilt lock. If the head has been correctly specified for the camera, on maximum counter balance there should be resistance to tilting both fore and aft. (The camera will try to return to horizontal when you try to tilt).



7. Start to reduce the counter balance while continuing to tilt fore and aft until the payload holds in every position when released, and there is no further resistance. (If the counter balance is reduced to far, the camera will start to fall away, if this happens turn counter balance the other way).



**CAUTION!** Only adjust the counter balance knob with the payload at horizontal, forcing at other angles will damage the head.



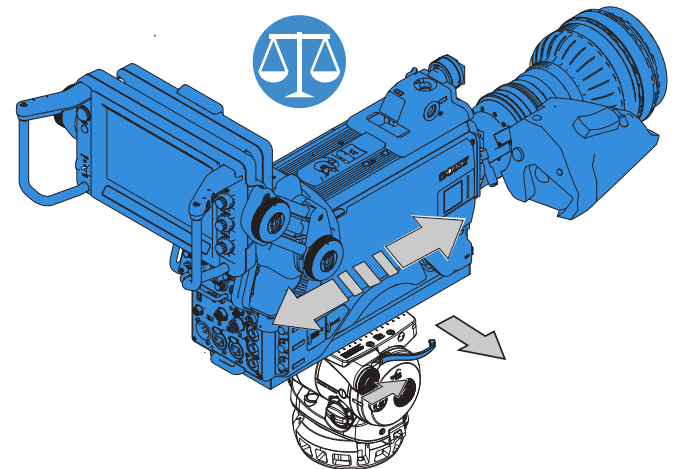
**Tip**

Turn the counterbalance anticlockwise for smaller payloads. Turn the counter balance clockwise for larger payloads. After balancing, exercise the head through both axis to confirm that it operates smoothly.

8. During step 7 it may be necessary to make fine adjustments to the camera side plate to finalise the alignment of the centre of mass of the camera to the tilt access of the head. When achieved the head will behave identically when released after tilting fore or aft.



**CAUTION!** Always remember to re clamp the side plate after making adjustments before tilting.



9. When releasing the pan bar at any angle and the payload stays stationary (does not fall away or spring back) perfect balance has been achieved.
10. Set both pan and tilt drags to achieve the required drag feel for operating.

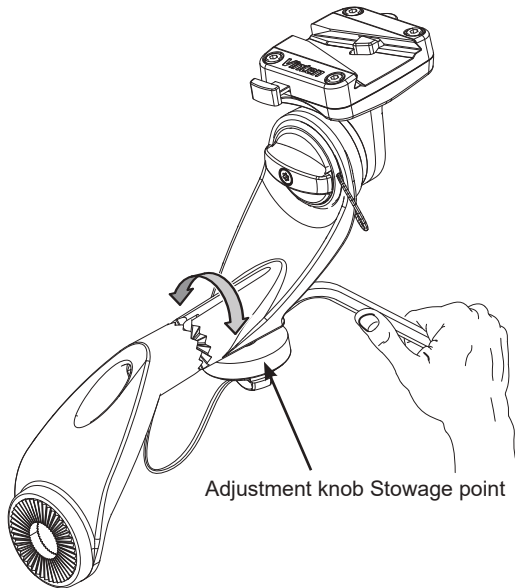
# Installation

## Attaching the Versine Mounting Arm

The mounting arm can be positioned on any of the rosettes. If placed on the body rosettes, any attachment such as a view finder, 1 pad etc., will remain level when the camera is tilted. If mounted on the upper "Pan Bar" rosettes the attachment will tilt with the camera.

The adjustment knobs are fitted to a tether to prevent them getting mislaid when using the pan bar to secure the arm.

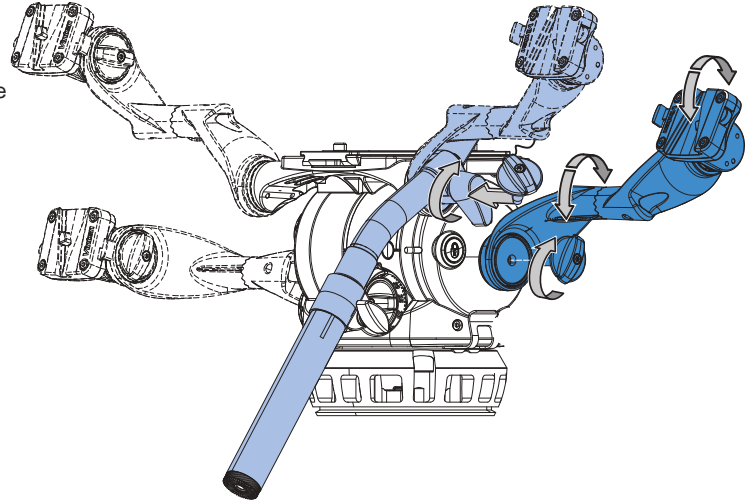
The arm is jointed in the middle to facilitate further adjustment. Loosen the upper arm using a Hex key to loosen the hex bolt until the teeth are just out of engagement, adjust the arm and tighten the hex bolt.



Adjustment knob Stowage point

Below shows the 4 x possible mounting point for the mounting arm.

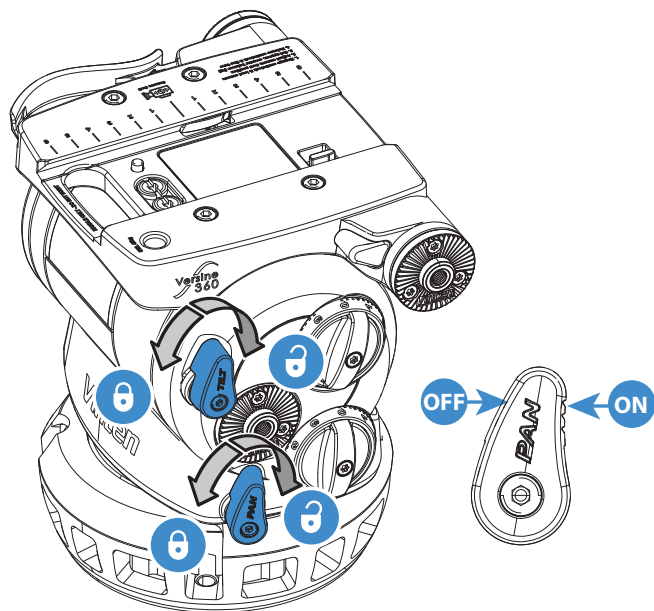
The arm may also be secured using the pan bar instead of the locking knob which is tethered to the mounting arm to prevent loss when not in use.



**Caution!** Always test any fitted accessories or cables to ensure they are not restricting tilt angled before using.

## Operating the Pan and Tilt Locks

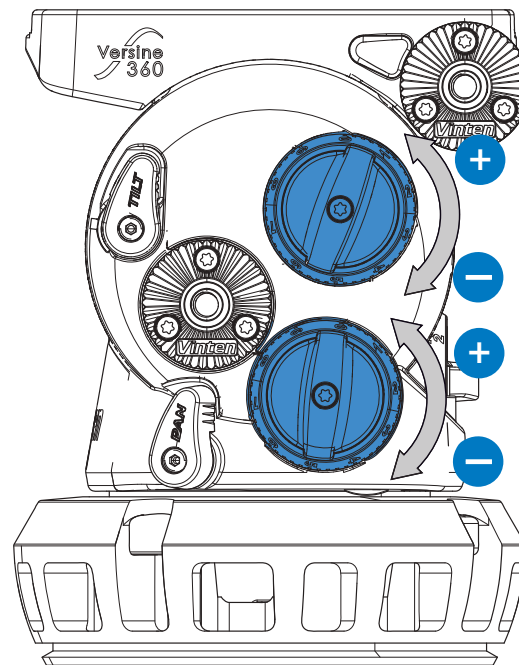
The pan and tilt friction locks are operated by the levers on the left side of the head.



After prolonged use, if the lock does not fully engage at the end of the lock travel, refer to “Adjust Lock Levers”

## Pan and Tilt Fluid Drag

The pan drag adjustment knob is located on the lower left of the head, and the tilt drag adjustment knob on the upper left of the head. Both controls are continuously adjustable from 0 - 9. To increase drag, turn the knob counter-clockwise, to decrease the drag, turn the knob counter clock-wise.





## Routine maintenance

Replace the balance mechanism digital display battery yearly.

During use, check the following:

Check the effectiveness of the pan and tilt brakes. Reset as necessary. See "Adjusting the Pan and Tilt Lock Levers" on page 15

Check the operation of the illumination of the level bubble and drag knobs. Replace battery if necessary.

No further routine maintenance is required.

## Cleaning

During indoor use, the only cleaning required should be a regular wipe over with a lint-free cloth. Dirt accumulated during storage may be removed using a semi-stiff brush. Particular attention should be paid to the levelling bowl and mounting face of the head and to the space between the tilting assembly and the base.

The head is weatherproof. However, use out-of-doors under adverse conditions will require special attention. Salt spray should be washed off with fresh water at the earliest opportunity. Sand and dirt acts as an abrasive and should be removed using a semi-stiff brush or vacuum cleaner.

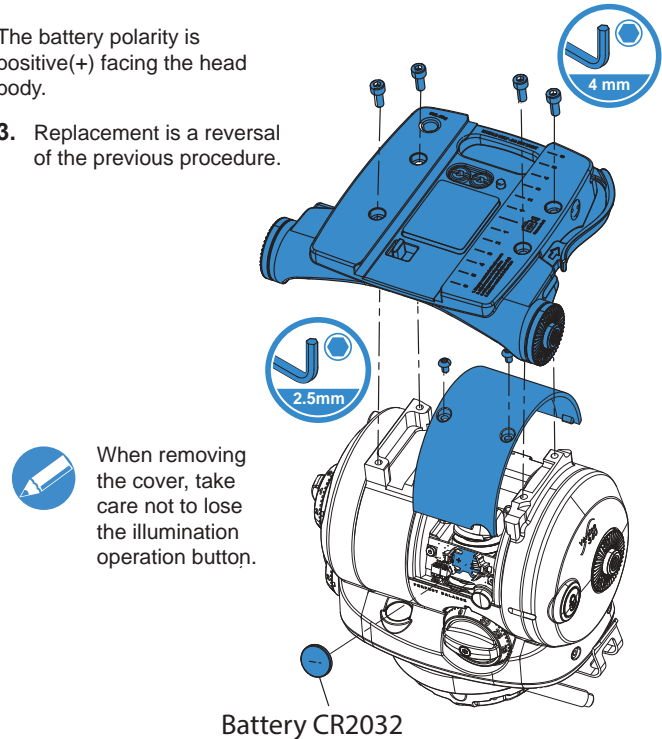
## Battery Replacement

The battery should be replaced yearly or whenever the illumination is considered inadequate.

1. Remove the 4 x 4 mm Hex screws to remove the top plate.
2. Remove the 2 x 2.5 mm Button Head Hex screws and remove the cover to access the CR2032 13,0V /230mAh battery.

The battery polarity is positive(+) facing the head body.

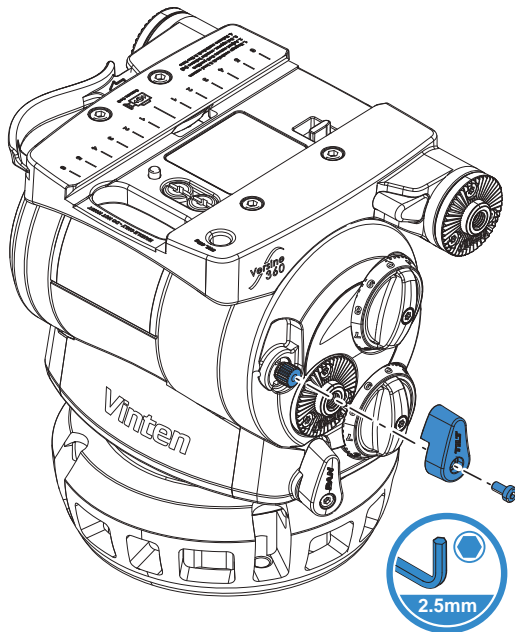
3. Replacement is a reversal of the previous procedure.





## Adjusting the Pan and Tilt Lock Levers

1. Rotate the lock lever to the “locked” position.
2. The lock lever is attached by means of a Hex screw, using a 2.5mm Hex key remove the screw.
3. Pull the lock lever off the splined shaft, rotate it approx. 20° away from the “locked” end of travel, and reinstall it.
4. Replace and tighten the screw.



## Technical Data

<b>Payload</b>	0 – 40kg / 0 – 88 lb (see balance chart)
<b>Base</b>	Multi-standard: flat, Quickfix, 150mm and 100mm bowl
<b>Counterbalance</b>	Continuous and perfect, backlit and calibrated mechanical readout
<b>Drag</b>	Thin Film drag, continuous
<b>Drag controls</b>	New precise illuminated control, calibrated
<b>Weight</b>	6.3kg / 14lb
<b>Camera fixing</b>	Dovetail sliding plate with robust side-action locking lever
<b>Sliding range</b>	115mm / 4.5"
<b>Tilt range</b>	+90° / -90°
<b>Levelling bubble</b>	Illuminated
<b>Centre lock</b>	Vector-style
<b>Rosette mounting points</b>	2x tilting, 2x non-tilting

## Declaration of Conformity



Videndum Production Solutions Ltd., declares that this product has been manufactured in accordance with BS EN ISO9001.

Videndum Production Solutions Ltd., as the responsible party for regulatory compliance, declares under our sole responsibility that as delivered the described product has been assessed and determined compliant with the following:

### **Electromagnetic Compatibility (EMC) Directive 2014/30/EU**

**By application of the following harmonised standard(s):**

**EN55032:2015 Class A**

**EN55015:2013 + A1:2015**

**EN61547:2009**

**EN55035:2017**

**Machinery Directive 2006/42/EC**

**RoHS 2011/65/EU**

**A copy of the Declaration of Conformity is available upon request.**

## Environmental considerations

### **European Union Waste of Electrical and Electronic Equipment (WEEE) Directive (2012/19/EU)**

This symbol marked on the product or its packaging indicates that this product must not be disposed of with general household waste. In some countries or European Community regions separate collection systems have been set up to handle the recycling of electrical and electronic waste products.



By ensuring this product is disposed of correctly, you will help prevent potentially negative consequences for the environment and human health. The recycling of materials helps conserve natural resources.

Visit our website for information on how to dispose of this product and its packaging.

### **In countries outside the EU:**

Dispose of this product at a collection point for the recycling of electrical and electronic equipment according to your local government regulations.

### **Disposal of waste batteries**

Any batteries included with this product must not be treated as household waste. By ensuring these batteries are disposed of correctly, you will help prevent potentially negative consequences for the environment and human health, and help conserve natural resources.

Read “Changing the Battery” on page 14 in this user guide for instructions on how to remove the battery from the product safely. Hand the battery over to the applicable collection point for recycling waste batteries.



